





FLEXIBLE BELLOWS - UNTIED



-  Isolate vibration & eliminate noise transmission
-  Suitable for both LPHW and chilled water
-  Corrosion resistant and maintenance free
-  Potable water grade Bellows available

FLEXIBLE BELLOWS

United Flexible Bellows are moulded and fabricated units, eliminating pipe line noise transmission.

Available with standard and non standard flange drilling, they cater for a wide range of Building Services or Industrial applications including:

- Chilled Water
- LPHW
- Pressures up to 16 bar
- Temperatures up to 85 degrees centigrade

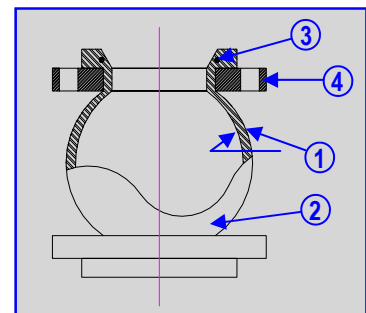
Manufactured to a high standard, the units are:

- 100% leak proof.
- Corrosion resistant.
- Maintenance free.

They can be incorporated in a variety of designs to solve noise problems and isolate vibration, making them popular additions at pump suction/discharge connections.

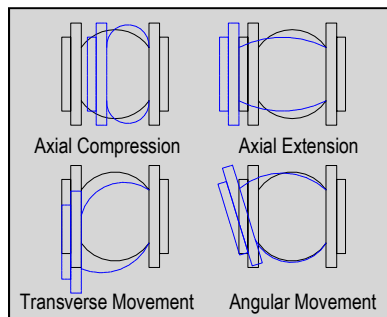
Standard flange drilling conforms to BS4505 NP6 or NP16

Discuss alternative drilling requirements with our Technical Sales Advisors



Component Materials		
Item	Part	Material
1	Body	Heat Resisting Rubber
2	Body	Nylon Tyre Cord
3	Wire	Hard Steel Wire
4	Flange	Mild Steel

Maximum Working Pressure @ 50 C = 7 bar
 Maximum Working Pressure @ 85 C = 3.5 bar
 (Typical application values, check with our sales advisors)



Dimensions and Allowable Movements

Nominal Diameter		Natural Installed Length	Allowable Movements from Natural Length				Pressures	
		mm	Axial Compression (mm)	Axial Extension (mm)	Lateral Deflection (mm)	Angular Deflection (mm)	Positive P.S.I.G at Deg C	Vacuum (mm)
Inch	mm	125	10	5	10	10	225	660
1 1/4"	32	125	10	5	10	10	225	660
1 1/2"	40	125	10	5	10	10	225	660
2"	50	125	10	5	10	10	225	660
2 1/2"	65	125	10	5	10	10	225	660
3"	80	125	10	5	10	10	225	660
4"	100	125	10	5	10	10	225	660
5"	125	125	10	5	10	10	225	660
6"	150	125	7	5	7	7	225	660



Abbey House, Charter Street, Leicester. LE13UD
 Tel: 0116 242 5425. Fax: 0116 242 5555
 Email: sales@flowmech.co.uk www.flowmech.co.uk