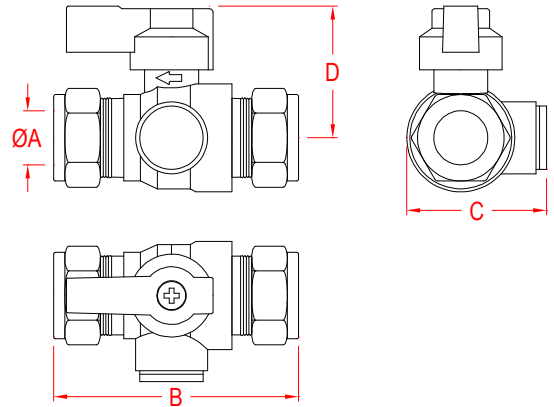
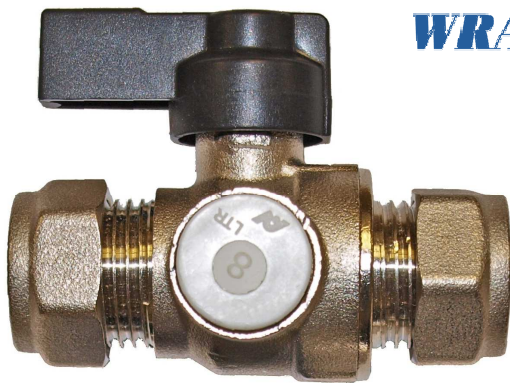


FLOW REGULATOR/SERVICE VALVE



WATER CONSERVATION

The publication of 'Code for Sustainable Homes: A step change in sustainable homes building practice' (Department for Communities and Local Government 2006) introduced a single national code to be used in the design and construction of new homes based on the BRE's EcoHomes scheme.

Reducing the water flow at the point of use is one way of saving and conservation which is now an important issue helping to make the right environmental impact.

INSTALLATION

The valve is very simple to install with just two joints to make and push-fit makes fitting even easier.

The flow through the valve must follow the direction of the arrow on the valve body.

Sufficient clearance must be allowed for removal of the side cap and removal of the flow regulator cartridge for cleaning.

MAINTENANCE

The only recommended maintenance is that periodically the flow regulator cartridge is removed and cleaned.

APPLICATION

The product, which is WRAS approved, is the ideal compact valve for use with sinks, hand basins and showers.

It is able to control the flow from inlet pressures up to 16 bar and deliveries from 4 to 15 litres per minute depending upon the flow regulating cartridge selected.

DIMENSIONS / WEIGHTS

Prod Code	ØA	B	C	D	WT
AI 377115	15 Ø	69	24	38	0.16 kg
AI 377222	22 Ø	68	24	38	0.18 kg
AI 477155 *	15 Ø	87	24	38	0.24 kg.

* Push-Fit Ends model

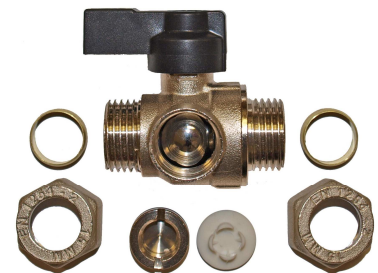
CONSTRUCTION DETAILS

- The body is constructed from brass to BS EN 12165 CW617N chrome plated
- Compression ends for use with copper pipe comply with BS EN 1254-2*
- Push-fit ends for use with 15mm diameter copper pipe with BS EN 1254-2*
- Ball valve with virgin PTFE seals for reliable isolation
- Hard chrome plated ball for increased wear resistance
- Handle ABS plastic
- Nilrile rubber 'O' ring seals

* Use with R250 (half hard) copper tube

TECHNICAL DATA

Maximum static pressure:	16 bar
Supply pressure range:	1-10 bar
Flow accuracy:	±10%
Maximum temperature Cu x Cu:	120°C
End connections—compression	15 & 22mm
End connections—push-fit:	15mm
WRAS approved product	



Compression 15mm	Product code		Colour	Flow rate with Regulator Cartridge	Typical Application
	Compression 22mm	Push-Fit 15mm			
AI 37711504	AI 3772204	AI 4771504	Grey	4 l/m	Toilet cistern
AI 37711506	AI 3772206	AI 4771506	Black	6 l/m	Wash basin
AI 37711508	AI 3772208	AI 4771508	White	8 l/m	Wash basin
AI 37711510	AI 3772210	AI 4771510	Blue	10 l/m	Sink or shower
AI 37711512	AI 3772212	AI 4771512	Red	12 l/m	Sink or shower
AI 37711515	AI 3772215	AI 4771515	Green	15 l/m	bath
AI 37711518	AI 3772218	AI 4771518	Grey	18 l/m	bath

NOTE: MUST BE INSTALLED IN THE DIRECTION OF THE FLOW AS INDICATED ON VALVE BENEATH THE HANDLE



Abbey House, Charter Street, Leicester. LE13UD
Tel: 0116 242 5425. Fax: 0116 242 5555
Email: info@flowmech.co.uk www.flowmech.co.uk